

***Nissan
Motorsports
Schematic
Catalog***



The Motorsports Parts Catalog features component breakdowns for many of the parts which are listed in the Motorsports Parts Catalogs. This book is a parts reference guide only and is not intended to be a service manual. Refer to the appropriate Nissan service manual (see below) for the necessary specifications to properly service any given part. The following books may also be of assistance in your racing efforts:

- 99996-M8012 HOW TO MODIFY YOUR NISSAN/DATSUN OHC ENGINE
L-series engine mods for road racing, drag racing, off-road racing & improved street performance. Details complete mods to engine internals, carburetion & exhaust, plus parts interchange.
- 99996-M8013 HOW TO REBUILD YOUR NISSAN/DATSUN OHC ENGINE
Troubleshooting & in-car repair. How to remove engine, tear down & inspect, recondition, assemble & install. Parts identification & interchange. Covers all 4 & 6 cylinder L-series engines for Nissan/Datsun cars & light trucks.
- 99996-M8014 MIKUNI PHH CARBURETOR SERVICE MANUAL
Excellent manual for servicing and troubleshooting the Mikuni (Solex) sidedraft (PHH) carburetor. Includes sections on selection, construction, overhaul, maintenance, inspection, tune-up & adjustment.

All P/N's listed are stocked only by the Motorsports Department unless indicated with an asterisk (*). P/N's listed with an asterisk (*) are stock (OE) components available to the Nissan dealer through the regional parts depots.

All parts listed must be ordered from your local Nissan dealer. For further information concerning application or availability of parts listed in the Motorsports catalog, write or call:

Nissan Motorsports
PO Box 191
Gardena, California 90248-0191

(213) 538-2610 or (213) 719-5041

FAX # (213) 538-1462

It is highly recommended that a genuine Nissan factory service manual be obtained prior to any work being performed on your Nissan vehicle. These manuals can be purchased directly from:

Dymet Distribution Service
20026 Progress Drive
Strongsville, Ohio 44136

(800) 247-5321

Motorsports parts are sold "as is" without any warranty whatsoever. Implied warranties, including warranties of merchantability or fitness for a particular purpose, are excluded. The entire risk of quality and performance of such parts is with the buyer. Should such parts prove defective following their purchase, the buyer and not the manufacturer, distributor or retailer, assumes the entire cost of all necessary services or repair.

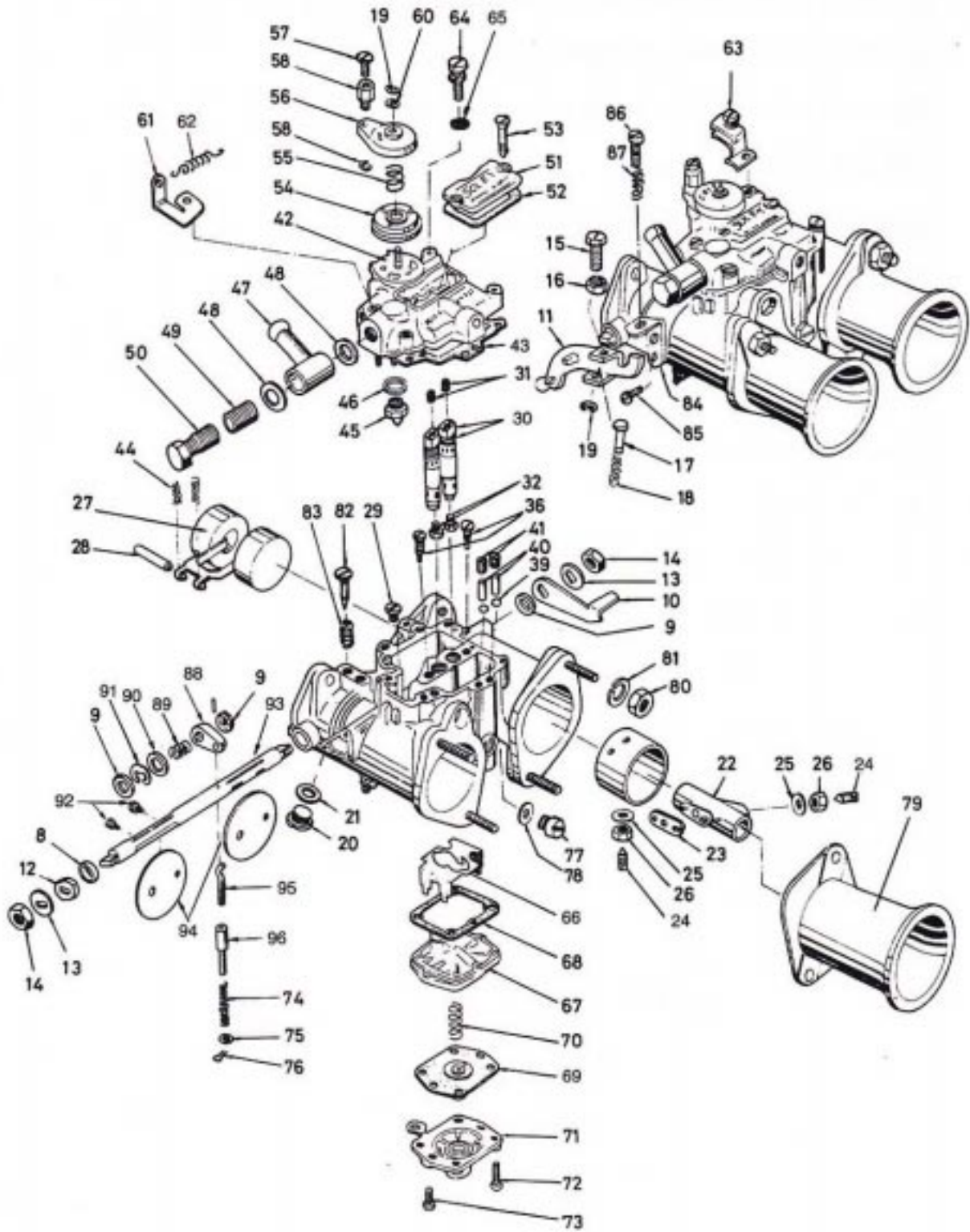
The Nissan vehicle and parts warranties are voided if the vehicle or part is used for competition or if they fail as a result of modification. It is the competitor's responsibility to inspect and verify the dimensions of all parts prior to installation.

Inventory of certain items listed in the Nissan Motorsports Parts Catalog is limited and may not be available for immediate delivery.

TABLE OF CONTENTS

PAGE	DESCRIPTION
3	MIKUNI/SOLEX CARBURETOR ASSY (EARLY STYLE)
5	MIKUNI/SOLEX CARBURETOR ASSY (LATE STYLE)
7	SSS/SU CARBURETOR ASSY (16010-22004)
9	SSS/SU LINKAGE ASSY
11	GX/SU CARBURETOR & LINKAGE ASSY
13	F5C56A TRANSMISSION HOUSING (1200, B210 & 210/B310)
15	F5C56A TRANSMISSION GEARS (1200, B210 & 210/B310)
17	F5C56A TRANSMISSION SHIFT MECHANISM (1200, B210 & 210/B310)
19	FS5C71A TRANSMISSION HOUSING (EARLY STYLE O/D 5-SPD)
21	FS5C71A TRANSMISSION GEARS (EARLY STYLE O/D 5-SPD)
23	FS5C71A TRANSMISSION SHIFT MECHANISM (EARLY STYLE O/D 5-SPD)
25	FS5C71B TRANSMISSION HOUSING (LATE STYLE O/D 5-SPD)
27	FS5C71B TRANSMISSION GEARS (LATE STYLE O/D 5-SPD)
29	FS5C71B TRANSMISSION SHIFT MECHANISM (LATE STYLE O/D 5-SPD)
31	F5C71B TRANSMISSION HOUSING (DIRECT-DRIVE 5-SPD)
33	F5C71B TRANSMISSION GEARS (DIRECT-DRIVE 5-SPD)
35	F5C71B TRANSMISSION SHIFT MECHANISM (DIRECT-DRIVE 5-SPD)
37	R190 DIFFERENTIAL (2-PINION)
39	FIA BRAKE CALIPER

MIKUNI/SOLEX CARBURETOR ASSY (EARLY STYLE)



MIKUNI/SOLEX CARBURETOR ASSY (EARLY STYLE)

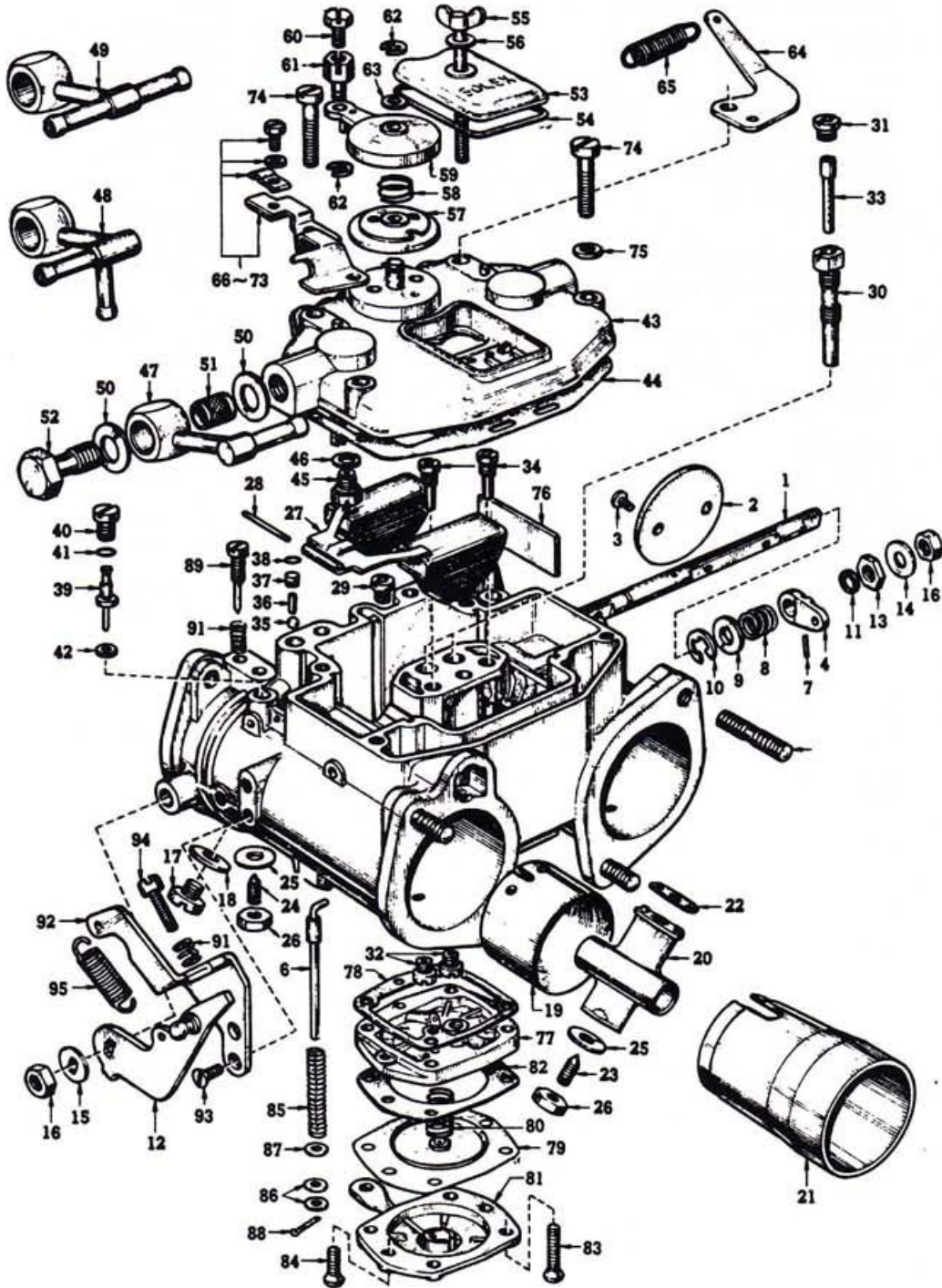
(44MM & 50MM W/TWO SCREWS RETAINING JET COVER)

ITEM	PART NUMBER	PART NAME	QTY	ITEM	PART NUMBER	PART NAME	QTY
9	16263-25520	Seal	8/12	55	17639-25520	Starter Spring	2/3
10	16133-25520*	Connecting Lever / F (U20 only)	1	56	17640-25520*	Starter Cover	2/3
11	16134-25520*	Throttle Lever Assy / R (U20 only)	1	57	16241-25520	Bolt	NLA
12	16169-25520*	Nut	2/3	58	16221-25520*	Cable Set Collar	2/3
13	16126-25520*	Washer	4/6	59	16292-25520*	Snap Ring	4/6
14	16124-25520*	Nut	4/6	60	16217-25520	Washer	2/3
15	16114-25520*	Screw (U20 only)	1	61	16162-25520*	Spring Bracket	1
16	16132-25520*	Nut (U20 only)	1	62	16160-25520*	Spring	1
17	16184-25520*	Push Rod (U20 only)	1	63	16165-25520*	Bracket Assy	1
18	16145-25520*	Adjust Screw Spring (U20 only)	1	64	16185-25520*	Screw	8/12
19	16292-25520*	Snap Ring (U20 only)	1	65	16220-25520	Washer	8/12
20	16031-25520	Plug	4/6	66	16069-25520*	Separate Plate	2/3
21	16094-25520*	Washer	4/6	67	17620-25520*	Pump Body	2/3
22	16013-25520	Inner Venturi (44PHH only)	NLA	68	17618-25520*	Pump Body Gasket	2/3
23	16130-25520	Small Venturi Gasket	4/6	69	17617-25520	Pump Body Diaphragm	2/3
24	16016-25521	Venturi Set Screw	4/6	70	16140-25520	Diaphragm Spring	2/3
25	16015-25520*	Washer	8/12	71	17619-25520	Pump Cover Assy	2/3
26	16018-25520	Nut	8/12	72	16223-25523	Screw	8/12
27	16061-25520	Float Assy	2/4	73	16223-25521	Screw	NLA
28	16066-25520	Float Pin	NLA	74	16157-25520*	Pump Spring	2/3
29	16059-25520*	Starter Jet	2/4	75	16215-25520*	Washer	2/3
30	16163-A0200	Jet Block (B)	4/6	76	16091-25520*	Cotter Pin	2/3
	16163-25520	Jet Block (A)	4/6	77	16030-25520*	Pump Passage Plug	2/3
	99996-S2000	Jet Block (OB)	4/6	78	16029-25520	Washer	2/3
	99996-S2001	Jet Block (OA)	4/5	79	99996-S3001	50mm Velocity Stack (44PHH only)	4/6
31	16036-*****	Air Jet	4/6		16244-25520	75mm Velocity Stack (44PHH only)	4/6
32	16033-*****	Main Jet	4/6	80	16131-25520	Nut	NLA
	16034-*****	Main Jet	4/6	81	16273-25520	Lock Washer	8/12
36	16189-*****	Pilot Jet	4/6	82	16214-25520*	Idle Adjust Screw	4/6
39	16219-25520	Pump Valve Ball	4/6	83	16145-25520*	Adjust Screw Spring	4/6
40	16285-25520*	Pump Valve Weight	4/6	84	16287-25520*	Stop Screw Bracket (U20 only)	1
41	16286-25520	Pump Passage Plug	NLA	85	16077-25520*	Screw	4/6
42	16125-25520*	Float Chamber Cover	2/3	86	16129-25520*	Throttle Adjust Screw	2/3
43	16064-25520*	Float Cover Gasket	2/3	87	16145-25520*	Adjust Screw Spring	6/9
44	16139-25520*	Spring	4/6	88	16142-A0200	Lever Rod	2/3
45	16101-25520	Needle Valve Assy (1.8mm)	2/3	89	16194-25520	Throttle Shaft Spring	NLA
46	16094-25520*	Washer	2/3	90	16072-25520	Thrust Washer	2/3
47	16111-25520*	Fuel Inlet	2/3	91	16086-25520	Snap Ring	2/3
48	16076-25520*	Washer	4/6	92	16121-25521	Screw	8/12
49	16098-25520*	Filter Assy	2/3	93	16122-25521	Throttle Shaft (44PHH only)	2/3
50	16108-25520*	Filter Set Bolt	2/3	94	16119-25520	Throttle Valve (44PHH only)	NLA
51	16113-25520*	Jet Chamber Cover	2/3	95	16081-25521	Pump Rod	NLA
52	16299-25520*	Chamber Cover Gasket	2/3	96	16143-A0200	Link	2/3
53	16164-25520	Cover Set Screw	4/6				
54	17638-25520	Starter Disc	2/3				

99996-M8014 MIKUNI PHH CARBURETOR SERVICE MANUAL
Excellent manual for servicing and troubleshooting the Mikuni (Solex) sidedraft (PHH) carburetor. Includes sections on selection, construction, overhaul, maintenance, inspection, tune-up & adjustment.

*****A complete listing of all outer venturis and carburetor jets (keys #31, #32, & #36) can be found in the Nissan Motorsports Parts Catalog.

MIKUNI/SOLEX 44MM PHH CARBURETOR (LATE STYLE)



MIKUNI/SOLEX 44MM PHH CARBURETOR (LATE STYLE)

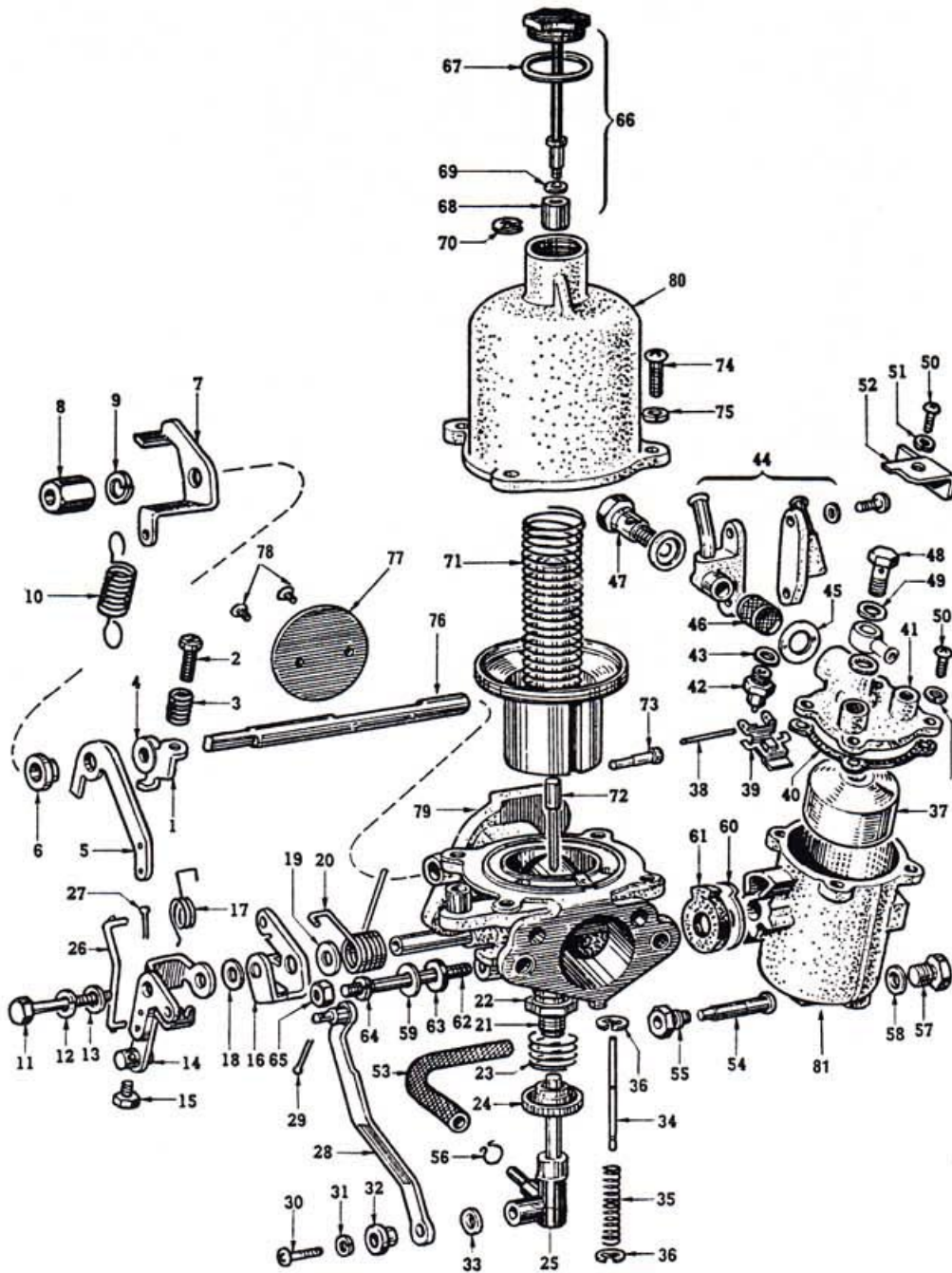
(40MM & 44MM W/SINGLE SCREW RETAINING JET COVER & NO EXTERNAL FLOAT ADJ)

ITEM	PART NUMBER	PART NAME	QTY	ITEM	PART NUMBER	PART NAME	QTY
1	16122-A0200	Throttle Shaft (40PHH only)	2	49	N/A	Fuel Inlet / Front	
2	16199-A0200	Throttle Valve (40PHH only)	4	50	16076-25520*	Washer	4/6
3	16121-25720	Screw	8/12	51	16098-25520*	Filter Assy	2/3
4	16142-A0200	Lever Rod	2/3	52	16108-25520*	Filter Set Bolt	2/3
5	16143-A0200	Link	2/3	53	16113-A0200	Jet Chamber Gasket	2/3
6	16081-25720	Pump Rod	2/3	54	16299-A0200	Chamber Cover Gasket	2/3
7	16224-25520	Stopper Pin	2/3	55	16164-A0200	Cover Set Screw	2/3
8	16194-14620	Throttle Shaft Spring	2/3	56	16220-A0200	Washer	2/3
9	16072-25520	Thrust Washer	2/3	57	17638-A0200	Starter Disc	2/3
10	16086-25520	Snap Ring	2/3	58	17639-25520	Starter Spring	2/3
11	16263-25520	Seal	8/12	59	17640-A0200	Starter Cover	2/3
12	16134-A0200	Throttle Valve Lever	2/3	60	16241-A0200	Bolt	2/3
13	16126-A0202	Washer	2/3	61	16221-A0200	Cable Set Collar	2/3
14	16126-A0200	Washer	2/3	62	16292-25520*	Snap Ring	4/6
15	16126-A0201	Washer	2/3	63	16217-25520	Washer	2/3
16	16124-25520*	Nut	4/6	64	16162-A0200	Spring Bracket	1
17	16031-25520	Plug	4/6	65	16160-25520*	Spring	1
18	16094-25520*	Washer	4/6	66	N/A	Bracket Assy	
19	*****	Outer Venturi	4/6	67	16046-A0200	Cable Clamp	1
20	16013-A0200	Inner Venturi (40PHH only)	4	68	N/A	Set Screw	
21	16013-25520	Inner Venturi (44PHH only)	4/6	69	N/A	Washer	
	99996-S3001	50mm Velocity Stack (44PHH only)	4/6	70	N/A	Cable Bracket	
	16244-25520	75mm Velocity Stack (44PHH only)	4/6	71	N/A	Cable Bracket	
22	16130-25520	Small Venturi Gasket	4/6	72	16029-A0200	Washer	8/12
23	16016-25520	Venturi Set Screw	8/12	73	N/A	Nut	
24	16016-14620	Venturi Set Screw	4/6	74	16185-A0200	Screw	8/12
25	16015-25520*	Washer	12/18	75	16220-25520	Washer	8/12
26	16018-25520	Nut	12/18	76	16069-A0200	Separate Plate	2/3
27	16061-A0200	Float Assy	2/3	77	17620-25720	Pump Body	2/3
28	16060-A0200	Float Pin	2/3	78	17618-25720	Pump Body Gasket	2/3
29	16059-A0201	Starter Jet	2/3	79	17617-25720	Pump Diaphragm Assy	2/3
30	16163-A0200	Jet Block (B)	4/6	80	16140-25520	Diaphragm Spring	2/3
	16163-25520	Jet Block (A)	4/6	81	17619-25520	Pump Cover Assy	2/3
	99996-S2000	Jet Block (OB)	4/6	82	16191-25721	Gasket	2/3
	99996-S2001	Jet Block (OA)	4/6	83	16223-25720	Screw	8/12
31	16036-*****	Air Jet	4/6	84	16223-25721	Screw	4/6
32	16033-*****	Main Jet	4/6	85	16157-25520	Pump Spring	2/3
	16034-*****	Main Jet	4/6	86	16215-A0200	Washer	4/6
33	16317-E4200	Emulsion Tube (M)	4/6	87	16215-25520	Washer	4/6
34	16189-*****	Pilot Jet	4/6	88	16091-25520	Cotter Pin	2/3
35	16219-25720	Pump Valve Ball	4/6	89	16214-25520	Idle Adjust Screw	4/6
36	16285-25520*	Pump Valve Weight	4/6		16147-E6600	Idle Screw Cap	4/6
37	16286-25720	Pump Passage Plug	4/6	91	16145-25520	Adjust Screw Spring	6/9
38	16126-25720	Packing	4/6	92	16287-A0200	Stop Screw Bracket	2/3
39	16095-A0200	Pump Injector	4/6	93	16077-A0200	Screw	4/6
40	16080-25720	Injector Set Screw	4/6	94	16129-25520	Throttle Adjust Screw	2/3
41	16126-25721	Packing	4/6	95	16160-A0200	Throttle Return Spring	2/3
42	16191-25720	Gasket	4/6				
43	16125-A0200	Float Chamber Cover	2/3				
44	16064-A0200	Float Cover Gasket	2/3				
45	16101-14620	Needle Valve Assy (1.8mm)	2/3				
	99996-M1000	Needle Valve Assy (2.0mm)	2/3				
46	16094-25520*	Washer	2/3				
47	N/A	Fuel Inlet / Rear					
48	N/A	Fuel Inlet / Center					

99996-M8014 MIKUNI PHH CARBURETOR SERVICE MANUAL
 Excellent manual for servicing and troubleshooting the Mikuni (Solex) sidedraft (PHH) carburetor. Includes sections on selection, construction, overhaul, maintenance, inspection, tune-up & adjustment.

*****A complete listing of all outer venturis (key #19) and carburetor jets (keys #31, #32, & #34) can be found in the Nissan Motorsports Parts Catalog.

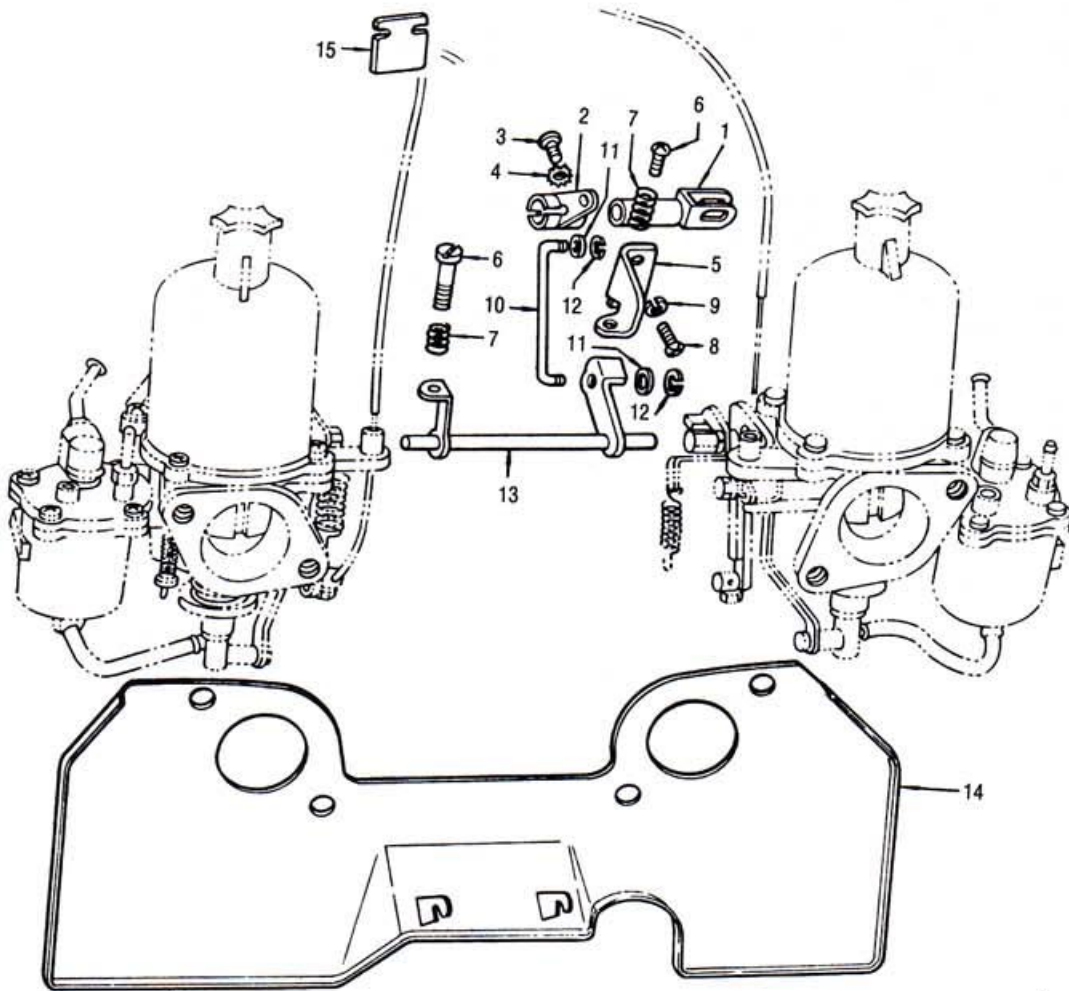
SSS/SU CARBURETOR ASSY (EARLY STYLE)



SSS/SU CARBURETOR ASSY (EARLY STYLE)

ITEM	PART NUMBER	PART NAME	QTY	ITEM	PART NUMBER	PART NAME	QTY
	16010-22004	SSS/SU Carburetor Set	1	42	16101-10400*	Needle & Seat Assy	2
1	16127-22015	Adjust Lever / F	1	43	16130-22010*	Washer	2
	16127-22016	Adjust Lever / R	1	44	16111-66810	Fuel Pipe Assy / F	1
2	16114-22015	Throttle Adjust Screw	2		16111-22017	Fuel Pipe Assy / R	1
3	16193-10400*	Throttle Adjust Screw Spring	2	45	16094-76500*	Washer	4
4	16084-58000*	Washer	2	46	16098-73401*	Filter Assy	2
5	16277-22010	Lever	2	47	16108-18010*	Inlet Bolt	2
6	16239-14610*	Sleeve	2	48	16331-10400*	Overflow Tube Bolt	2
7	16134-22012	Throttle Lever / F	1	49	16335-14610*	Gasket	4
	16134-22013	Throttle Lever / R	1	50	16131-19915*	Screw	8
8	16214-22011	Nut	2	51	23502-30000*	Lock Washer	8
9	23109-30000*	Lock Washer	2	52	16229-22010	Fuel Return Bracket	1
10	16194-22011	Throttle Return Spring	2	53	16356-25610*	Fuel Tube	2
11	16185-22015*	Bolt	2	54	16357-12210*	Sleeve	2
12	16076-14610*	Lock Washer	2	55	16359-12210*	Sleeve Nut	2
13	16217-10401*	Washer	2	56	16358-E4310*	Clip	4
14	16238-22015	Choke Lever / F	1	57	16031-A8710*	Drain Plug	2
	16238-22016	Choke Lever / R	1	58	16060-10400*	Gasket	2
15	16185-22016*	Bolt	2	59	16322-22010	Bolt	2
16	16147-14611*	Choke Connecting Plate / F	1	60	16217-25610*	Washer	2
	16147-73411*	Choke Connecting Plate / R	1	61	16227-A8710	Adapter / F	1
17	16157-14610*	Connecting Spring / F	1		16227-A8711	Adapter / R	1
	16157-73410*	Connecting Spring / R	1	62	16228-A8710	Washer	2
18	16116-14610*	Sleeve	2	63	16218-25610*	Washer	2
19	16072-14610*	Washer	2	64	22203-50000*	Lock Washer	2
20	16190-H2710*	Return Spring / F	1	65	16088-25610	Nut	2
	16190-H2711*	Return Spring / R	1	66	16341-25610*	Oil Cap Nut Assy	2
21	16351-10400*	Nozzle Sleeve	2	67	16342-10400*	Packing	2
22	16027-10400*	Nozzle Sleeve Screw	2	68	16343-12210*	Plunger	2
23	16145-10400*	Idle Adjust Screw Spring	2	69	16344-10400*	Washer	2
24	16144-25610*	Idle Adjust Nut	2	70	16345-10400*	Snap Ring	2
25	16355-22015	Nozzle	2	71	16346-12210*	Spring	2
26	16248-22010	Connecting Rod / F	1		16347-10400*	Packing	2
	16248-22011	Connecting Rod / R	1	72	16354-22011	Needle / M66	2
27	16091-10560*	Cotter Pin	2	73	16219-22015*	Needle Screw	2
28	16147-14710*	Connecting Plate / F	1	74	16131-19915*	Screw	8
	16147-78110	Connecting Plate / R	1	75	23502-30000*	Lock Washer	8
29	16091-10560*	Cotter Pin	2	76	16122-22016	Throttle Shaft	2
30	22103-E4310*	Screw	2	77	16120-22010	Throttle Valve	2
31	22156-85060*	Lock Washer	2	78	16121-22015	Screw	4
32	16123-14610*	Sleeve	2	79	16118-22015	Throttle Chamber / F	1
33	22185-50000*	Washer	2		16118-22016	Throttle Chamber / R	1
34	16324-10400*	Piston Lifter	2	80	16340-22015	Suction Chamber	2
35	16325-10400*	Piston Lifter Spring	2	81	16011-22015	Float Chamber / F	1
36	16326-10400*	Snap Ring	4		16011-22016	Float Chamber / R	1
37	16061-10400*	Float Assy	2				
38	16066-25610*	Float Lever Pin	2				
39	16062-10400*	Float Lever	2				
40	16064-22010*	Float Chamber Gasket	2				
41	16125-10400*	Float Chamber Cover	2				

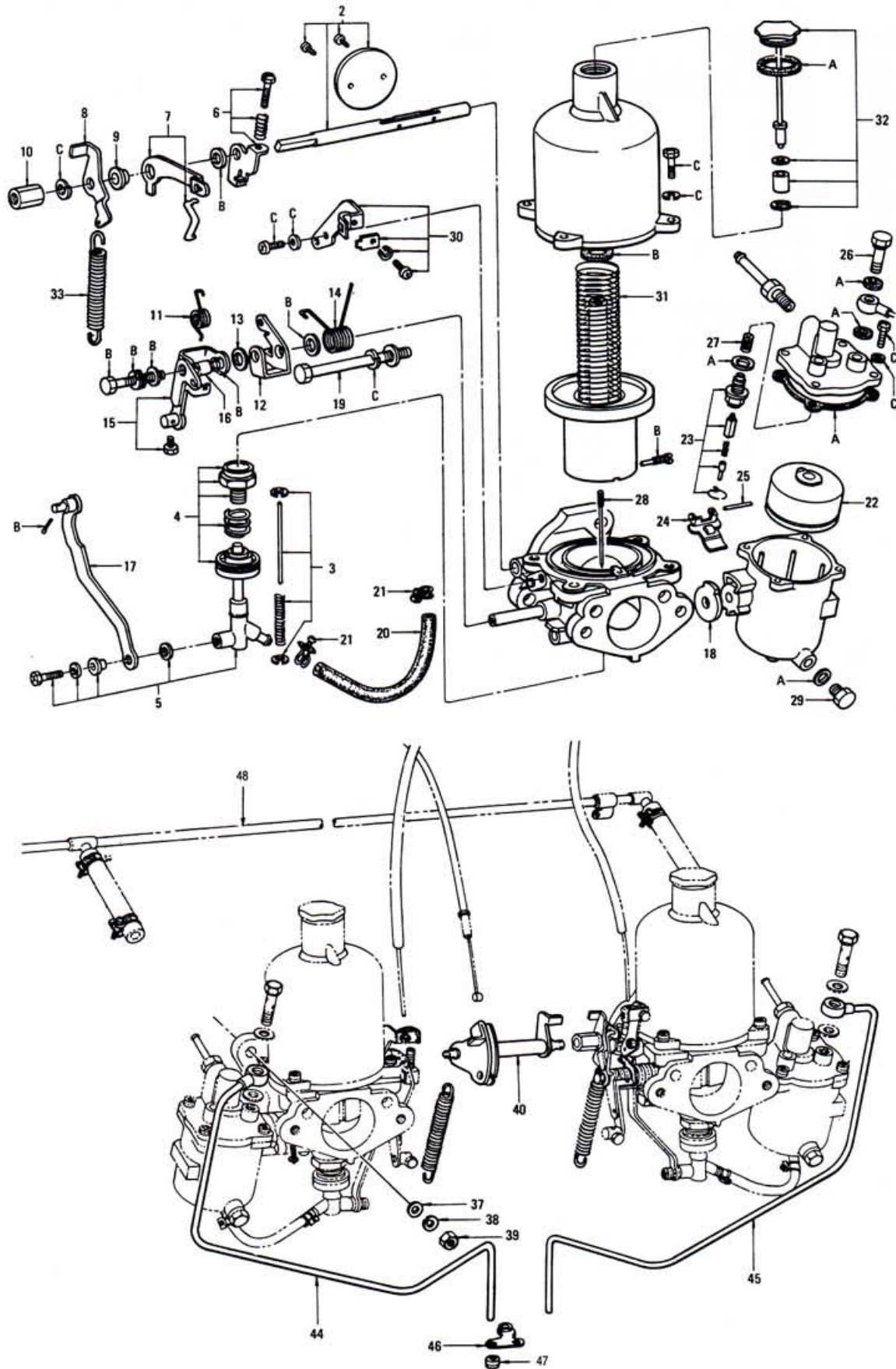
SSS/SU LINKAGE ASSY



SSS/SU LINKAGE ASSY

ITEM	PART NUMBER	PART NAME	QTY
1	16361-22000	Auxiliary Throttle Shaft	1
2	16365-U0800	Auxiliary Throttle Shaft Arm	1
3	08330-51612	Screw	1
4	08916-43510	Washer	1
5	16794-22000	Bracket	1
6	16379-22000	Screw	2
7	16378-22000	Spring	2
8	08310-51012	Screw	2
9	08915-13510	Lock Washer	2
10	16371-22001	Connecting Rod	1
11	16084-22000	Washer	2
12	16179-22000	'E' Ring	2
13	16380-K1400	Throttle Shaft Assy	1
14	14330-U0800	Heat Shield	1
15	18418-A8700	Choke Wire Clamp	1

GX/SU CARBURETOR ASSY (LATE STYLE)



GX/SU CARBURETOR ASSY (LATE STYLE)

ITEM	PART NUMBER	PART NAME	QTY
1	16010-H2338	GX/SU Carburetor Assy / F	1
	16010-H2337	GX/SU Carburetor Assy / R	1
2	16122-H2310	Throttle Assy	2
3	16324-H2310	Piston Lifter Assy	2
4	16144-H2311*	Idle Adjust Nut Assy	2
5	16355-H2311	Nozzle	2
6	16127-H2310	Throttle Adjust Plate Assy / F	1
	16127-H2311	Throttle Adjust Plate Assy / R	1
7	16277-H2312	1st Idle Lever Assy / F	1
	16277-H2315	1st Idle Lever Assy / R	1
8	16134-H2310	Throttle Lever Assy / F	1
	16134-H2313	Throttle Lever Assy / R	1
9	16083-58000	Sleeve	2
10	16214-25610*	Nut	2
11	16190-H2710*	Starter Return Spring (B)	1
	16190-H2711*	Starter Return Spring (A)	1
12	16147-14611*	Cam Plate (B)	1
	16147-73411*	Cam Plate (A)	1
13	16116-H2310*	Sleeve (B)	2
14	16157-14610*	Connecting Spring (B)	1
	16157-73410*	Connecting Spring (A)	1
15	16238-H2310	Choke Lever Assy / F	1
	16238-H2311	Choke Lever Assy / R	1
16	16116-H2310*	Sleeve	2
17	16147-H2310	Connecting Plate / F	1
	16147-H2311	Connecting Plate / R	1
18	16227-H2310	Adapter / F	1
	16227-H2311	Adapter / R	1
19	16322-E3210	Bolt	2
20	16356-25610*	Rubber Fuel Pipe	2
21	16358-E4310*	Fuel Pipe Clip	4
22	16061-10400*	Float Assy	2
23	16101-18010	Needle & Seat Assy	2
24	16062-H2310	Float Lever / F	1
	16062-H2710	Float Lever / R	1
25	16066-25610*	Float Pin	2
26	16331-10400*	Overflow Tube Bolt	2
27	16096-H7860*	Filter	2
28	16554-H2316	Needle / M83	2
29	16031-A8710*	Drain Plug	2
30	16418-H2310	Choke Clamp / F	1
	16419-H2311	Choke Clamp / R	1
31	16346-10615*	Spring	2
32	16341-25610*	Oil Cap Nut Assy	2
33	16194-H2312	Throttle Return Spring	2
34	16455-H2310*	Gasket Kit	1
35	16475-H2310*	Screw & Washer Kit (B)	1
36	16465-H2310*	Screw & Lock Washer Kit (A)	1
37	08915-4381A*	Washer	4
38	08915-13810	Lock Washer	4
39	08911-20810	Nut	4
40	16361-H2300	Throttle Shaft Assy	1
41	16376-H2300	Accelerator Cable Bracket	1
42	08915-13510	Washer / Cable Bracket	2
43	08460-51012*	Screw / Cable Bracket	2
44	16031-H2300	Overflow Tube / F	1
45	16031-H2301	Overflow Tube / R	1
46	14012-22002	Overflow Tube Bracket	1
47	18455-30000*	Rubber	2
48	17523-H2302	Fuel Tube	1